

StrongArm SAFECRACKER DRILL BITS

STRONGER CARBIDE- Specially Formulated Micro-Grain Titanium Tungsten Carbide tips diamond ground razor sharp with unique tip geometry.

STRONGER BRAZING- Ultra high temperature Copper braze adds strength and reduces tip failure from over heating.

STRONGER SHANK- High grade, Chrome-Moly steel shanks, tempered for extra durability.

StrongArm- The industry's most popular drill designed and manufactured specifically for drilling safes.

ITEM#	SIZE	PRICE	ITEM#	SIZE	PRICE	ITEM#	SIZE	PRICE
#183	1/8 x 3 1/2	\$5.25	#568	5/16 x 8	\$7.50	#3824	3/8 x 24	\$18.50
#364	3/16 x 4	\$5.50	#5612	5/16 x 12	\$12.50	#126	1/2 x 6	\$9.75
#366	3/16 x 6	\$5.75	#5618	5/16 x 18	\$14.00	#128	1/2 x 8	\$11.00
#144	1/4 x 4	\$5.75	#385	3/8 x 5	\$7.75	#1212	1/2 x 12	\$14.50
#146	1/4 x 6	\$6.50	#388	3/8 x 8	\$8.50	#1218	1/2 x 18	\$18.50
#565	5/16 x 5	\$6.75	#3812	3/8 x 12	\$13.50	#1224	1/2 x 24	\$20.50
			#3818	3/8 x 18	\$15.50			

NEW StrongArm Black SAFE DRILLS



#SB144 1/4x4 \$5.75 #SB146 1/4x6 \$6.50

We have added a new carbide tipped safe drill bit with negative rake tip geometry to the StrongArm line of Safe Drill Bits. The StrongArm Black is not a replacement for the original StrongArm, but is designed to provide options for your drilling arsenal.

DIAMOND CORE



Diamond Tip GSA Core Drill Bits:
The cost effective and easy way to drill GSA carbide matrix hard plate. Specially formulated diamond grit, electroplated bonding onto stainless steel shafts provide maximum durability and performance. Additional Aero Space lubricant provided with each drill.

#DC4 1/4 x 6 \$25.00

#DC5 5/16 x 6 \$30.00

#DC3 3/8 x 6 \$35.00

#DC412 1/4 x 12, #DC512 5/16 x 12

#DC312 3/8 x 12" add \$5.00

BALL BUSTERS



Solid carbide drill specially designed to penetrate through or between ball bearings in safe barriers quick and easy. One Ball Buster can drill several holes.

#BB4 1/4 x 6 \$35.00

#BB5 5/16 x 6 \$40.00

HIGH SPEED STEEL LongArm BITS

#LA1412 1/4 x 12" \$9.00

#LA1418 1/4 x 18" \$12.00

#LA1424 1/4 x 24" \$15.00

#LA5612 5/16 x 12" \$11.00

#LA5618 5/16 x 18" \$14.00

#LA5624 5/16 x 24" \$17.00

#LA3812 3/8 x 12" \$13.00

#LA3818 3/8 x 18" \$16.00

#LA3824 3/8 x 24" \$19.00

CORE CUTTERS



After drilling carbide matrix with Diamond Core Drill, Core Cutter cuts the mild steel backing for core removal or drilling into lock cases.

#CC4 1/4 x 6 \$25.00

#CC5 5/16 x 6 \$25.00

#CC3 3/8 x 6 \$25.00

END MILLS



Solid carbide 6" long, special 1/2" flute and tip for drilling and side cutting.

#EM4 1 1/4 x 6 \$35.00

#EM5 5/16 x 6 \$40.00

#EM3 3/8 x 6 \$45.00

THUNDER BITS



Heavy duty black & bronze oxide treated HSS. Special safe drilling sizes that provide clearance for carbide diamond core drills.

#T932 9/32 x 4 1/4 \$5.75

#T1132 11/32 x 4 3/4 \$7.25

#T1332 13/32 x 5 1/4 \$9.50



GSA MINI RIG BOLT SAW GUIDE CARBIDE/BI-METAL HOLESAWS



GSA MiniRig Bolt Saw Guide attaches MiniRig to GSA drawer.
#BSG \$95.00

Carbide grit 1.5" hole saw specially designed for cutting hardened bolts. #CHS \$30.00

Bi-Metal hole saw for cutting mild steel. #BHS \$13.00

3/8" quick change arbor 1/4" drill. #A38 \$18.50

UNIVERSAL DIAL PULLER



The one tool for pulling or drilling and pressing off safe dials.

#UDP \$85.00

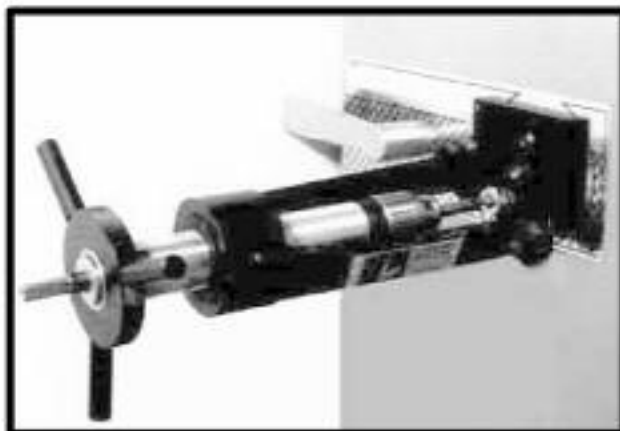
STEEL STICK



Steel Stick contains real steel and hardens in about 20 minutes! Use by itself, or in conjunction with ball bearings or taper pins for an even stronger repair.....#SS \$8.00

StrongArm MINI RIG

Versatile, Fast set up. Precise depth control and accuracy makes safe drilling easy and more profitable. **Innovative design, quality construction.** The rig weighs only 3 lbs. but supplies drilling pressure not possible with heavy, cumbersome magnetic drill rigs. The compact design allows the rig to fit where others won't. A non slip triangular shaft accommodates the 3/8" or 1/2" drill motor of your choice.



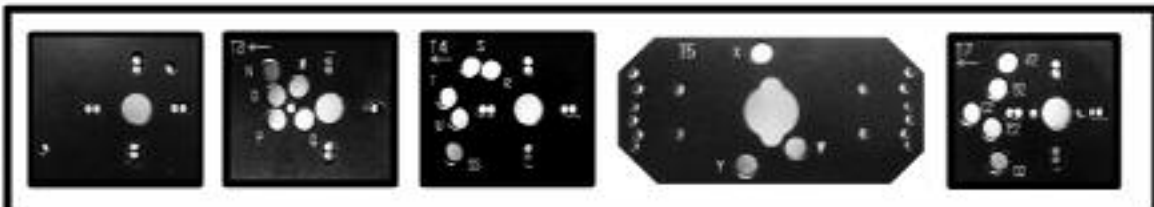
Multiple attaching options provide versatility. Included drill point templates attach to dial ring screws and position the rig for quickly and accurately for drilling into safe locks. For drilling outside the lock area, you can mount it with our unique Hollow Bore Bolt. The bit goes through the hollow bolt, and drills into the safe leaving only one hole for easy repair. You can also mount the rig with two self-tapping screws. **Quick Disconnect** design allows you to remove and replace the MiniRig in seconds from all mounting options. This exclusive design provides unobstructed access for a scope, inspecting the hole, or change bits.



The Pro Kit includes: The MiniRig and 2 Templates for drilling S&G Mosler, LaGard and Diebold mechanical locks, the Universal Dial Puller, plus a fitted custom case and it all weighs less than 10 pounds. *Best of all, it can pay for itself in one or two openings!.....* **\$799.00 #MRP**
SPECIAL: MiniRig Pro Kit and 2 additional templates of your choice. **\$899.00 #MRP-4**

(Additional templates, GSA Bolt Saw Cutting Guide and Uni-Temp are also available)

MINI RIG TEMPLATES



BLANK - Customize your own templates for the Mini-Rig! These blanks include the spindle and dial-ring mounting screw holes only. Just drill and tap a hole to produce custom templates. #BT...**\$35.00**

T3 LaGard Electronic Locks- This template Includes drill points for the side bar, relocker and solenoid for the 3600, 33E, 99E and the LG basic. #T7...**\$65.00**

T4 Kaba Mas Locks- This template has drill points for the Kaba Mas, Auditcon, Cencon, B52 and X-07, X-08, and X-09 locks. #T4...**\$65.00**

T5 Floor Safes- This template has drill points for Star, Gary C&E Rate, and Major floor safes. #T5...**\$80.00**

T7 Multiple Locks- This template has drill points for the Iico 505, Amsec ESL 10/20, S&G 6120. Also has optional drill points for LG 3330, Kaba-Mas B52, plus Mosler. #T7...**\$65.00**

StrongArm MINI RIG UNI-TEMP



The Universal Template attaches to the safe's dial ring mounting screw holes for safe drilling with the MiniRig. Uni-Temp uses an X-Y axis system with ruler scales, and an index to allow you to set specific up, down, left and right measurements from the spindle hole center. Set-up is very fast. Lock in your setting, attach the Mini-Rig and start drilling. The MiniRig quickly removes from the Uni-Temp for bit changes and hole inspections without readjusting. An additional mounting provision allows Uni-Temp to be mounted anywhere on a safe or vault, not just the dial ring screw holes. You can now use your favorite drill points on all types of locks with the MiniRig and Uni-Temp. **\$225.00 #UNI-1**

StrongArm VAC ATTACK

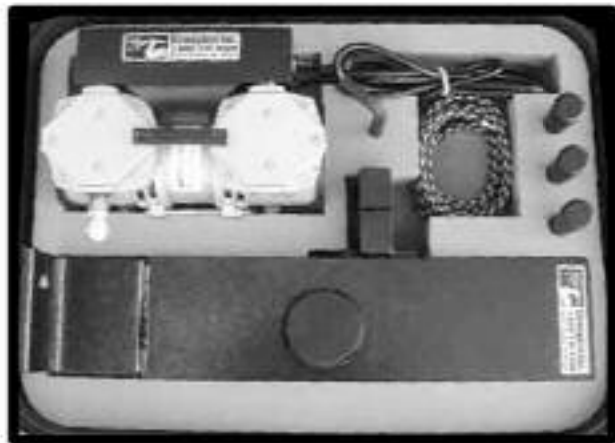
The VacAttack is the ultimate drill rig for high security safes and vaults. Super strong vacuum power attaches the rig on stainless steel, concrete, wrinkle painted safes or almost any flat surface. You can attach the VacAttack where a magnetic press won't hold or other type rigs are not practical and accommodates a wide range of drill motors. The compact and lightweight design provides incredible holding power, fast set up, versatility and accurate drilling. **The VacAttack includes:** A specially designed 115 volt 28hg dual stage vacuum pump and hose with a 10x14 inch vacuum pad and rack and pinion drill press all in a heavy duty case.



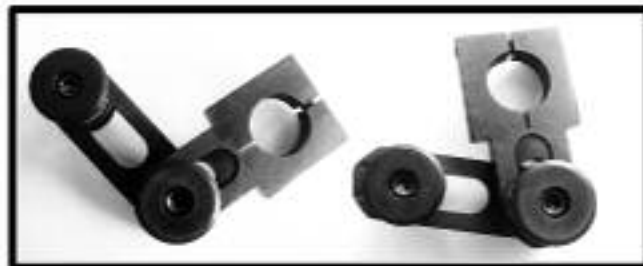
The drill press attaches on the long or short side of the pad and is quickly removable for working in the hole or using a scope without removing the pad. The tri spoke handle is interchangeable for right or left side operation. A quick release on the pad allows for easy adjustment and a safety check valve maintains vacuum in the event of a power loss.....**\$1799.00 #VA**



Lightweight, Strong & Versatile VacPad can also be used with **MiniRig** or **Lever Bar Rig**. An optional mounting plate lets you use the drill press in a service vehicle or on a bench.



VAC EXTENDER



Versatile- works with **both** the VacAttack and Mag Rigs. Extends your reach into tight spots and across gaps

so you can drill it where **YOU** want to.
\$225.00 #VE

StrongArm LEVER BAR RIG

Lever Bar Rig and Case:
Fully adjustable and versatile.
With Metabo SBE750 ,
1/2" 2-speed hammer drill,
max 3000 RPM,
6.2 amp..... **\$599.00 #LBR**

